



A PRODUCT SHEET OF NEPTUNE TECHNOLOGY GROUP

R900[®] Wall or Pit Meter Interface Unit (MIU)



Build Onto Your Existing Technology Investment

As part of Neptune's R900[®] System, the R900[®] meter interface unit (MIU) was designed for flexibility. Like its fellow system components, the R900 MIU works seamlessly with prior generations of equipment. At the same time, it allows your utility to incorporate innovations as you need. A single radio frequency unit that can transmit meter reading data using any reading method – mobile or fixed network – the R900 MIU never has to be reprogrammed. That makes migrating to new technologies simple whenever your utility is ready to implement them. When it's time to add new features or functionality, you can do it at your own pace, confident of continual system support without stranded assets.

Conserve Resources, Simplify Operations

With the pressures your utility faces, Neptune[®] knows you don't have time, personnel, water, or revenue to waste. That's why we designed the R900 MIU and the rest of the system for ease of use. In addition, the R900 MIU's interleaved, high-power, 1 Watt fixed network message reduces infrastructure costs while allowing reading in any mode – without separate reading systems, site visits, or any type of MIU reconfiguration. The R900 MIU provides fixed network transmission capability at all times, while it also transmits readings for walk-by or mobile methods. Making operations even easier, the user-friendly, intuitive R900 System design requires only minimal training, providing you flexibility to adapt to changes in your workforce and reallocate staff to different departments as needed.

Reduce Complaints, Delinquencies, And Write-Offs

Neptune's R900 MIU greatly improves access to meter readings, while delivering detailed consumption profile information as well as alerts for leak or backflow, helping your utility more proactively identify and resolve customers' questions. This accurate, timely data can be used to head off high bill complaints, reduce delinquent payments, and eliminate write-offs.

Because detailed data logging information from the last 96 days is always available, just waiting to be transmitted by the R900 MIU when needed, personnel can take care of a customer's issue then and there, in a single site visit. Not only can the data boost efficiency and customer service, but it will also help your utility make better-informed decisions going forward.

KEY BENEFITS

Facilitates Migration to AMI

- 1 Watt fixed network message reduces infrastructure costs
- Interleaved mobile and fixed network messages facilitate migration without changing the "modes" in the MIU

Reduces Non-Revenue Water

- Provides leak history/diagnostics
- Enables proactive leak notification
- Provides hourly consumption data
- Improves meter reading accuracy
- Eliminates estimated reads

Identifies Potential Theft

- Tamper detection
- Reverse flow detection
- Identifies significant periods of zero consumption

Simplifies Installation Process

- Easy to install/no programming required
- Reduces labor cost

Technical Specifications

Electrical Specifications

- MIU power: Lithium battery with capacitor

Transmitter Specifications

- Two-way MIU
- Transmit period (interleaved mobile and fixed network messages):
 - Standard mobile message every 14 seconds at 100 mW
 - Standard fixed network message every 7½ minutes at 1 Watt
- FCC verification: Part 15.247
 - Transmitter channels: 50; frequency-hopping, spread-spectrum
 - Channel frequency: 910 to 920 MHz
- Encoder register reading interval:
 - Every 15 minutes
- Data logging interval:
 - 96 days of hourly data

Environmental Conditions

- Operating temperature: -22°F to +149°F (-30°C to +65°C)
- Storage temperature: -40°F to +158°F (-40°C to +70°C)
- Operating humidity: 100% condensing

Antennas

- Wall MIU: standard internal antenna
- Pit MIU: standard through-the-lid antenna
 - 18" Coax
 - 6' Coax
 - 20' Coax

Encoded Register Compatibility

- Neptune ARB® V, ProRead™, ProCoder™, and E-CODER®
- Sensus ECR II, ICE, iPerl, Electronic Register and OMNI
- Hersey/Mueller Translator
- Badger ADE and HR E|LCD
- Elster/AMCO InVision (Sensus protocol version)

Options

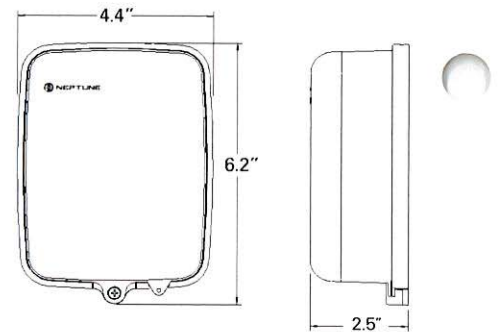
System Compatibility

- Handhelds with R900® Belt Clip Transceiver - mobile RF
- MRX920™ - mobile RF
- R900® Gateways - fixed network RF

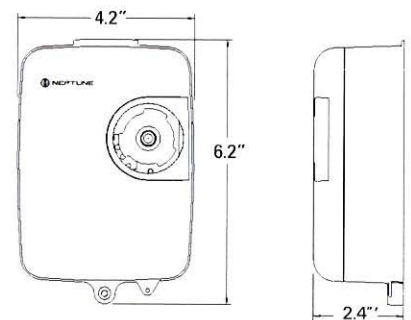
Warranty

20 years (10/10); refer to specific Warranty Statement

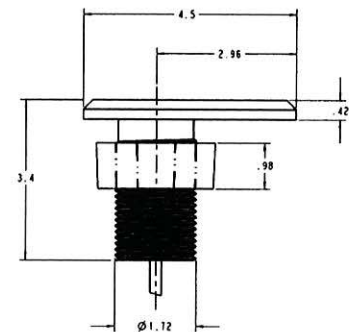
Dimensions



R900 Wall MIU



R900 Pit MIU



R900 Pit Antenna

